

# PWR2016 Series Power Inductor

## Features

- Magnetic-resin shielded construction reduces buzz noise to ultra-low levels
- Metallization on ferrite core results in excellent shock resistance and damage-free durability
- Closed magnetic circuit design reduces leakage flux and Electro Magnetic Interference (EMI)
- 30% higher current rating than conventional inductors of equal size
- Takes up less PCB real estate and save more power



## Applications

- LED Lighting
- Flat-screen TVs, blue-ray disc recorders, set top box, movie cameras, smart phone
- Notebooks, desktop computers, servers, graphic cards cards
- Portable gaming devices, personal navigation systems, personal multimedia devices
- Telecomm base stations
- VR, AR

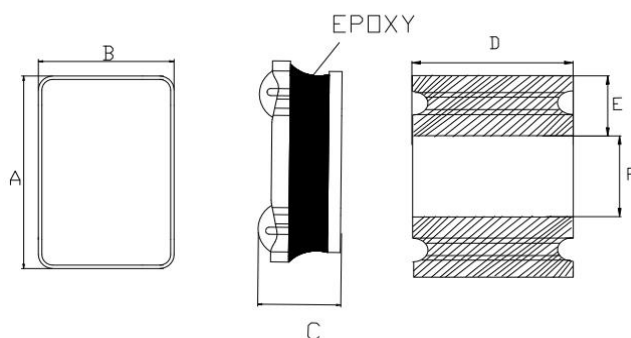
## P/N Information

① PW ② R ③ 2016 ④ -100 ⑤ M ⑥ 0 ⑦ T

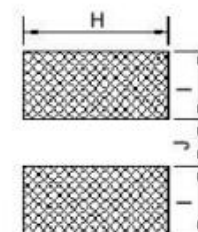
- ① Product series
- ② Material
- ③ Size
- ④ Inductance
- ⑤ Tolerance
- ⑥ Special code
- ⑦ Taping information

④ Nominal Inductance[μH]	
Example	Nominal Value[μH]
R15	0.15 μH
1R0	1.0 μH
100	10 μH
⑤ Inductance Tolerance	
M	±20%
N	±30%

## Shape & Dimension information



## Recommended Pattern



Unit:mm

A	B	C	D	E	F	H	I	J
2.1+0.3/-0.2	1.7+0.3/-0.2	1.05 max	1.75 Typ.	0.68 Typ.	0.7 Typ.	1.8Typ	0.8Typ	0.7Typ

## PWR2016 Series Power Inductor

## Specification information

YINT P/N	Inductance	DC Resistance	Saturation Current
	L0 (μH)	DCR (mΩ)	Isat (A)
	1MHz, 0.1V	Max.	Typ.
PWR2016-R47N0T	0.47	53	2.70
PWR2016-R68N0T	0.68	82	2.00
PWR2016-1R0M0T	1.0	115	2.00
PWR2016-1R5M0T	1.5	156	1.70
PWR2016-2R2M0T	2.2	174	1.26
PWR2016-3R3M0T	3.3	294	1.05
PWR2016-4R7M0T	4.7	432	0.85
PWR2016-6R8M0T	6.8	620	0.72
PWR2016-100M0T	10	864	0.60
PWR2016-150M0T	15	1680	0.55
PWR2016-180M0T	18	1700	0.40
PWR2016-220M0T	22	2000	0.38

## Testing Conditions:

1. All test data is base on 25 °C ambient .
2. Isat(A): DC current will cause L0 to drop approximately 30 %
3. The part temperature (ambient + temp rise) should not exceed 125 °C under worst cases.
4. Storage Temperature: Under 25°C, Humidity < 65% RH. If product is preserved for more than 12 months, the solderability of their ter-minals may be deteriorated.

## Reel &amp; QTY information

Series	MPQ(Pcs)	Reel (W / P)
PWR2016	2,000	7" (8/4)